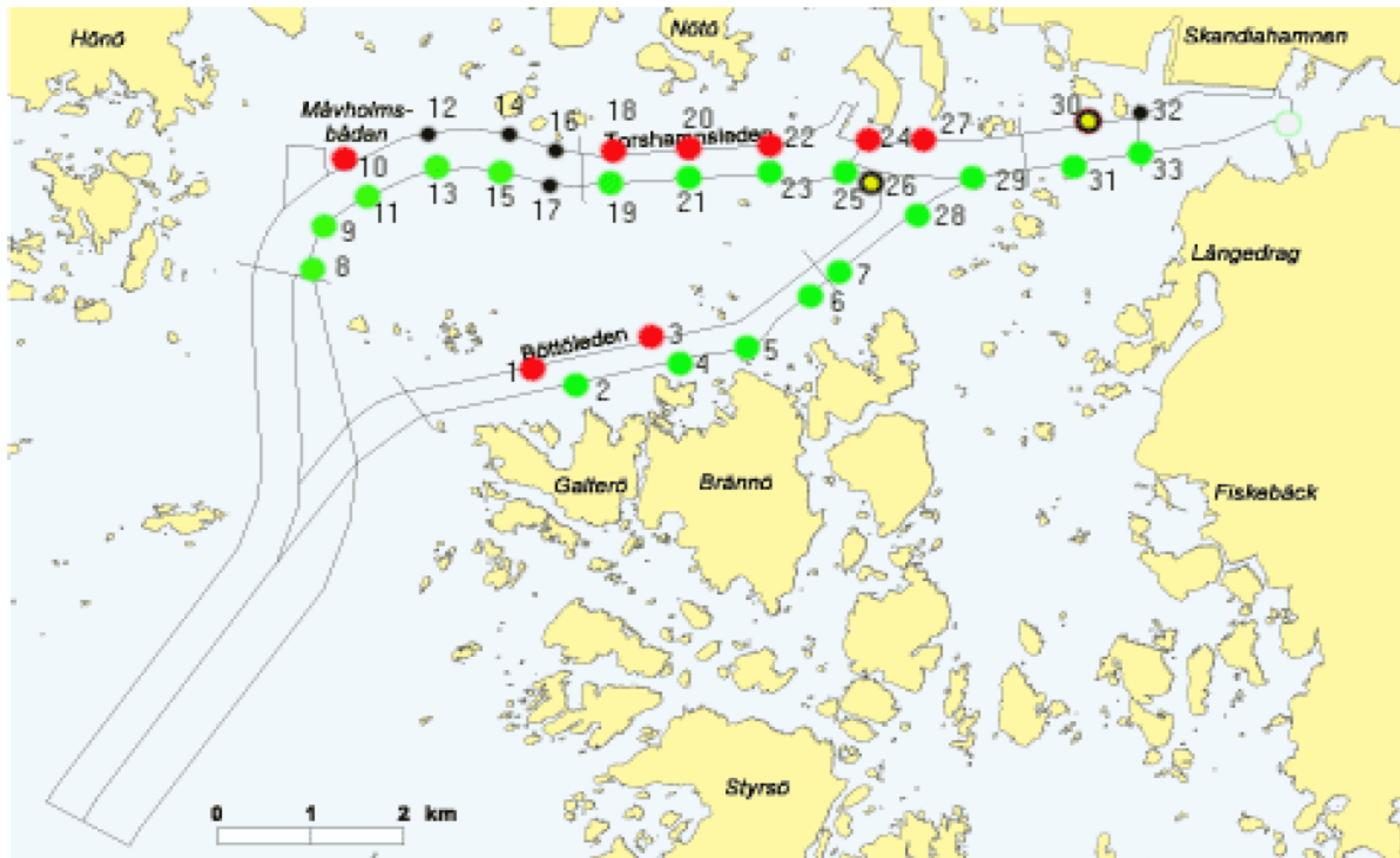
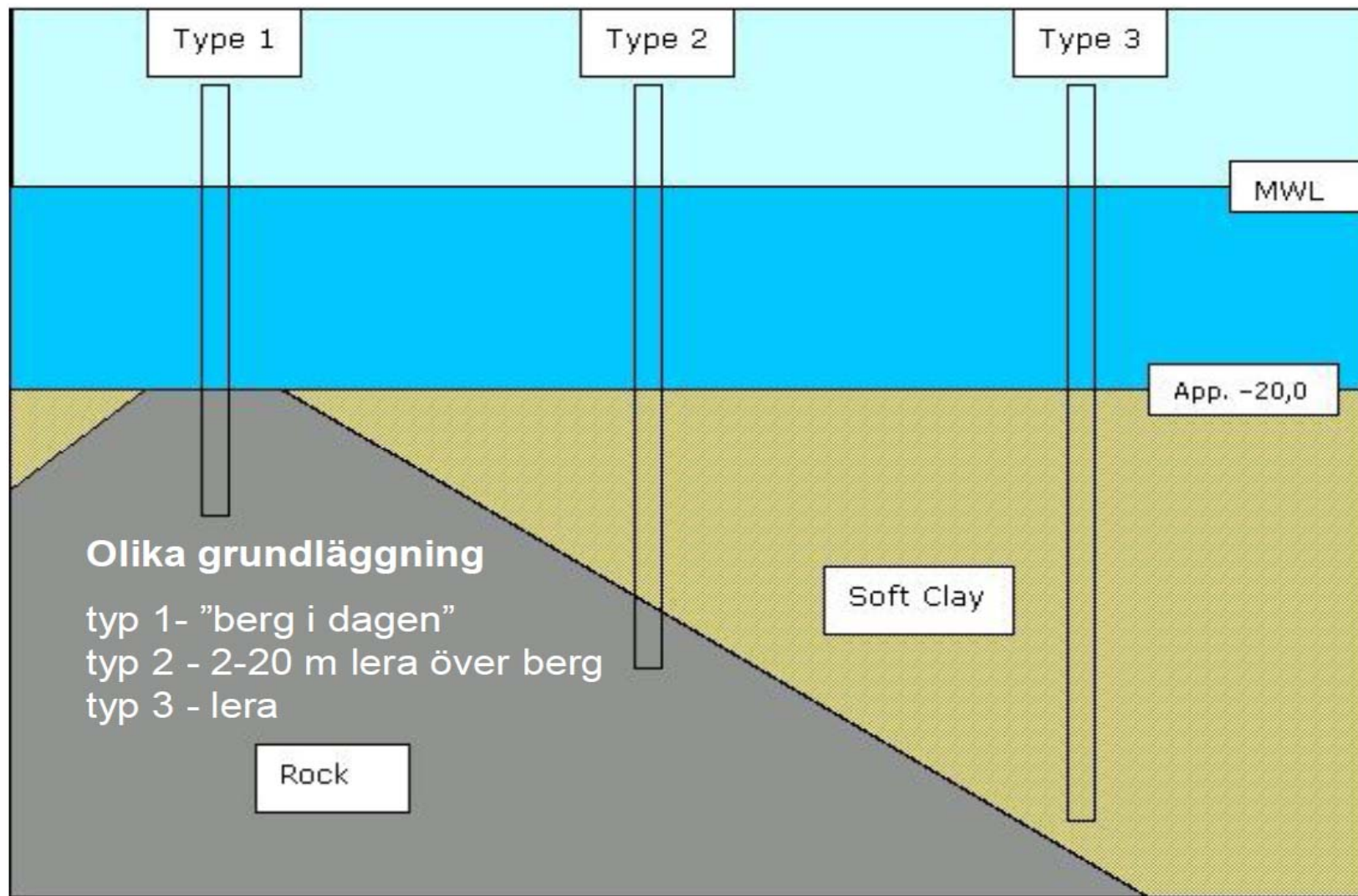
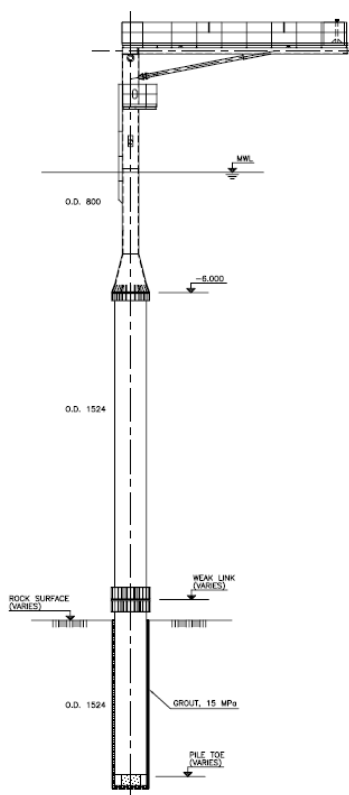


Fasta kantmarkeringar

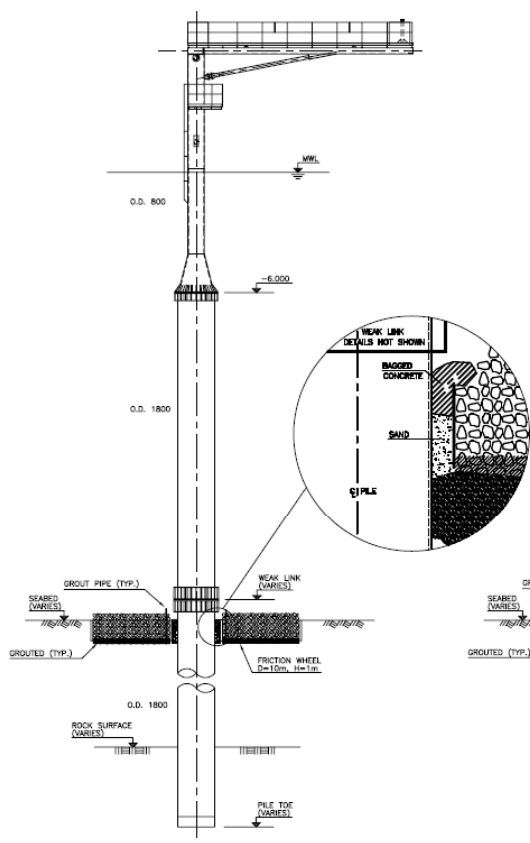






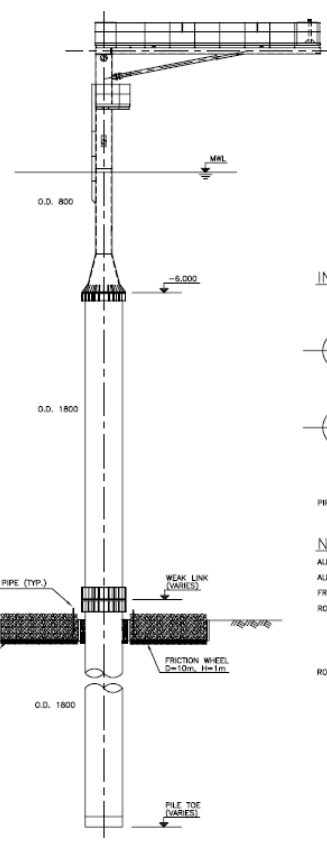
SITUATION 1, SEABED OF ROCK, 1:100
(ROCK ENCOUNTERED AT SEABED)
ANODES NOT SHOWN

POSITION: F3, F4, F12, F14, F16, F20, F23, F25, F32



SITUATION 2, SEABED OF SOFT MATERIAL, 1:100
(ROCK ENCOUNTERED BELOW CLAY LAYER)
ANODES NOT SHOWN

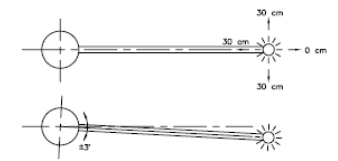
POSITION WITH FRICTIONWHEEL: F1, F11, F15, F18, F24, F27, F28, F31
POSITION WITHOUT FRICTIONWHEEL: F2, F6, F13, F17, F19, F26



SITUATION 3, SEABED OF SOFT MATERIAL, 1:100
(ROCK NOT ENCOUNTERED)
ANODES NOT SHOWN

POSITION: F5, F7, F8, F9, F10, F21, F22, F29, F30, F33

INSTALLATION TOLERANCES:



PIPE TILT LESS THAN 1:100

NOTES:

- ALL DIMENSIONS ARE IN mm UNLESS NOTED OTHERWISE.
- ALL LEVELS ARE IN m RELATIVE TO MWL, VARYING LEVELS SEE DWG. SPG-120.
- FRICTION WHEEL IN STEEL AND FILLED WITH ROCK MATERIAL.
- ROCK FILL: ϕ max 38
- $\gamma_{rel} \geq 12 \text{ KN/m}^3$ (i.e. UNDERWATER WEIGHT).
- ROCK FILL TO BE WITH MINIMUM 0.2m OVERBURDEN.
- ROCK FILL TO BE SINGELS OR ABOVE IN SIZE ACC. TO DS404.
- ROCKFILL: 120 MM $\geq D \geq 40$ MM

AS BUILT

Design	Checked	Approved	Date	Description of Revision	Rev.
PLP			15-10-04	AS BUILT DATA INCLUDED, GROUT PIPES ADDED	6
NJE	OK	OK	24-10-03	TYPE 1 PILE FEET	5
NJE	OK	OK	18-10-03	MINOR COMPLETIONS	4
NJE	OK	OK	10-10-03	MINOR COMPLETIONS	3
NJE	OK	OK	03-10-03	ROCK FILL INFO ADDED	2
NJE	OK	OK	28-09-03		1

SÄKRABE FÄRLEDER GÖTEBORG

